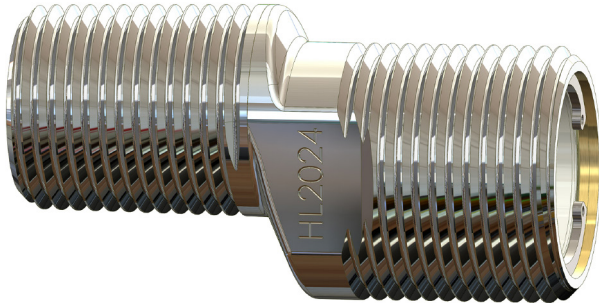


DATA SHEET - HL2024 Connect-S

Pressure independent flow controller. Optimal and instant control of (shower) mixers.



Figure number: 1121



Top left: HL2024 Connect-S

Bottom right: HL2024 Connect-S - dimensions (in mm)

Specifications

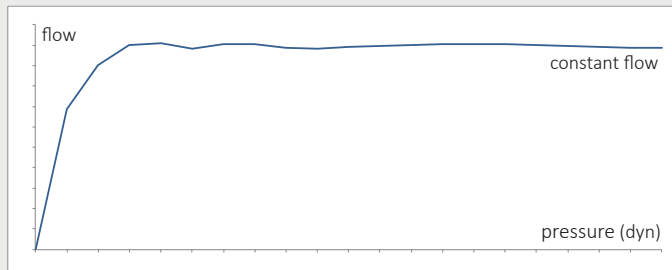
Mounting: at hot and cold mixer inlets
Connection inlet: G 1/2" (BSP) male
Connection outlet: G 3/4" (BSP) male
Adjustment range: 7.5 mm
Weight: 91 g
Housing material: brass (4MS)
Colour: chrome
Max. particle size: 400 µm
Max. operating temperature: 90 °C *

Flow rate versions

5.0 l/min (150-1.000 kPa/dyn)
7.8 l/min (200-1.000 kPa/dyn)

Constant flow: pressure independent

Flow deviation within mentioned dynamic pressure range: max. 2%. **
The graph shows the constant flow performance of HL2024 products.



* In case of permanent or semi-permanent use at 500 kPa/dyn or more combined with 60 °C or more, please contact us at info@hl2024.com.
** Different types of mixers have different counter-pressures. This might somewhat influence the flow rate.

Product overview

Mixer optimisation

The HL2024 Connect-S provides a constant flow, saves water, significantly reduces temperature fluctuations and creates optimal user comfort. The HL2024 Connect-S does that by largely eliminating the influence of pressure fluctuations into thermostatic and non-thermostatic (shower) mixers.

Certified constant flow

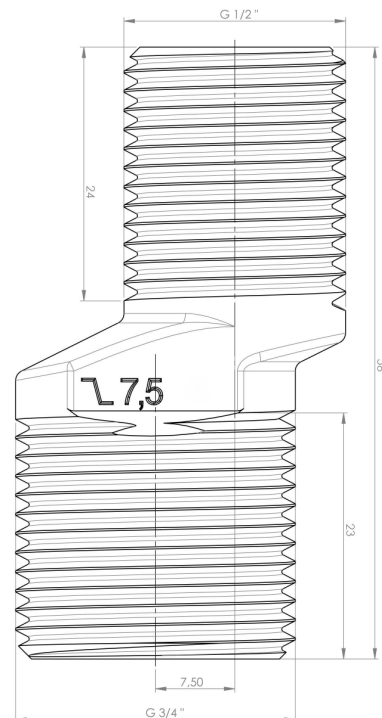
HL2024 products are pressure independent and as such provide a constant flow as certified by Kiwa, Netherlands (BRL-K635). The products meet the requirements for Kiwa Water Mark and primary European drinking water standards. All HL2024 products contain one or more integrated HL2024 Flow Controller(s). HL2024 is uniquely certified for pressure independence and long term operation.

Application

At thermostatic and non-thermostatic (shower) mixers.

Key properties

- Optimal water temperature stability
- Optimal flow control as a result of constant flow
- Definition of peak volume demand per mixer
- Water- and energy savings
- System stabilisation
- System pressure loss reduction



Disclaimer: HGP International aim to provide correct and up to date information at all times. HGP International, or companies belonging to its group, are not liable for possible consequences of any incorrect information provided in this document by mistake. HGP International reserve the right to make changes.

Note: later versions of this document replace and void older versions. The general terms and conditions of HGP International are applicable. In the general terms and conditions HGP International has limited its liability. Current versions of this document and of the general terms and conditions of HGP International are available at www.hl2024.com.

General terms and conditions of installation and use HGP International

HGP International is a trade name of HGP Exploitatie B.V., The Netherlands, registered with the Chamber of Commerce under number 56180586.

These terms and conditions have been filed with the Chamber of Commerce.

Applicability and formation of agreement

1. These General terms and conditions of installation and use apply, with the exclusion of customer's terms and conditions, to the installation and use of all HGP International products.
2. In addition to and without prejudice to the General terms and conditions of sale and delivery, these General terms and conditions of installation and use apply to the legal relationship between HGP International, including third parties engaged by HGP International, on the one hand, and one or more customers and / or users on the other hand, in the context of the installation and use of HGP International products.

Use of products

3. The customer must at all times follow the instructions and directions regarding the use of HGP International products. Any guarantee and / or liability of HGP International will be null and void if the instructions and directions have not been fully followed.

Exonerations

4. Installation is entirely at the risk of the customer. HGP International is not liable for any damage caused during installation, unless the damage was caused by intent or deliberate recklessness on the part of HGP International. In no case is HGP International liable for consequential damage and / or indirect damage. Without prejudice to the above, the following limitations of HGP International's liability apply.
5. HGP International offers a guarantee with respect to the products if and insofar this has been agreed in writing between the parties upon conclusion of the agreement or insofar as HGP International is legally obliged to do so.
6. Subject to any mandatory obligations arising from the law, HGP International is never obliged to compensate any loss, except in the event of intent or willful recklessness.
7. Any liability for consequential loss or loss of profits, indirect loss, lost profits and loss owing to stoppage of the customer and/or the customer's customers is explicitly excluded under all circumstances. Liability is always limited to the amount insured or paid by HGP International. In the event of loss that is not or only partially covered, HGP International's liability is always limited to the invoice amount of the specific delivery or partial delivery.

Other

8. Should any provisions of these General terms and conditions of installation and use be null and void, be annulled, or be unenforceable, this will not have any consequences for the validity of all other provisions or the agreement.
9. If and insofar HGP International cannot invoke any provision of these General terms and conditions of installation and use or the agreement, then said provision will be construed as having a content and purport that is as much as possible in accordance with the original provision, allowing it to be invoked by HGP International.
10. All costs, judicial and extrajudicial, related to the collection of sums owed to HGP International are fully for the account of the customer.
11. The legal relationship between HGP International and the customer will be governed by Dutch law, under exclusion of the Vienna Sales Convention, and all disputes will be settled exclusively by the competent court in the District of Amsterdam, The Netherlands.
